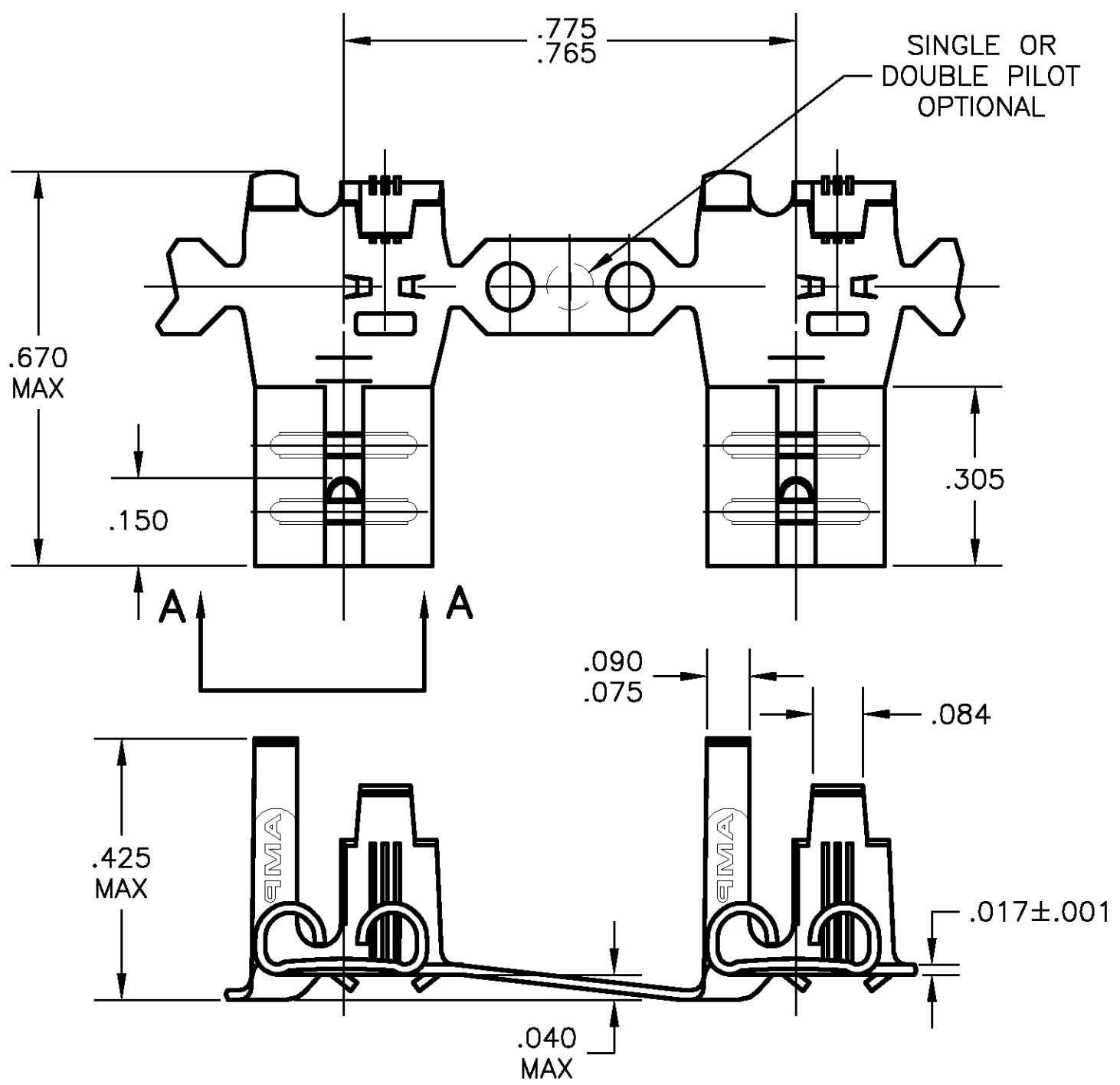
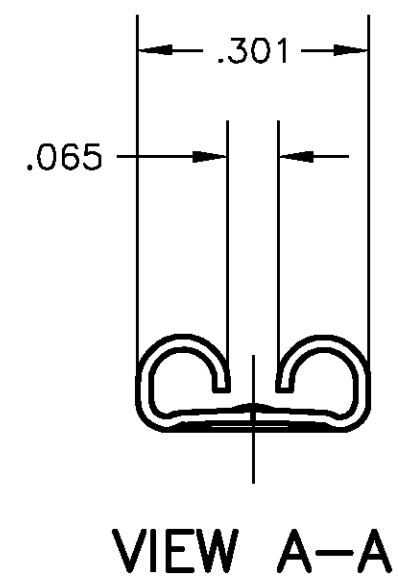


THIS DRAWING IS UNPUBLISHED. RELEASED FOR PUBLICATION  
 © COPYRIGHT BY TYCO ELECTRONICS CORPORATION. ALL RIGHTS RESERVED.

LOC	DIST	REVISIONS			
P	LTR	DESCRIPTION	DATE	DWN	APVD
AF	50	Z	REDRAWN PER 0G3A-0637-02	18OCT02	JR PD



- 1 CONTINUOUS STRIP ON REELS
- 2 MATING TAB THK IS .032±.001.
- 3 WIRE SIZE IS #18-#12 AWG
- 4 INSULATION RANGE IS .110-.210 DIA.



41532  
PART NO.

THIS DRAWING IS A CONTROLLED DOCUMENT.		DWN JR RUTH 18OCT02	Tyco Electronics Corporation Harrisburg, PA 17105		
DIMENSIONS: INCHES		CHK P DESANTIS 18OCT02			
		APVD P DESANTIS 18OCT02	NAME RECEPTACLE, FLAG, FASTON, .250 SERIES		
TOLERANCES UNLESS OTHERWISE SPECIFIED:		PRODUCT SPEC	RESTRICTED TO		
0 PLC ± -		APPLICATION SPEC	SIZE A3	CAGE CODE 00779	DRAWING NO C-41532
1 PLC ± -		WEIGHT	SCALE 4:1 SHEET 1 OF 1 REV Z		
2 PLC ± -		CUSTOMER DRAWING			
3 PLC ± .015					
4 PLC ± -					
ANGLES ± -					
MATERIAL 4M BRASS					
FINISH .000080 MIN TIN					